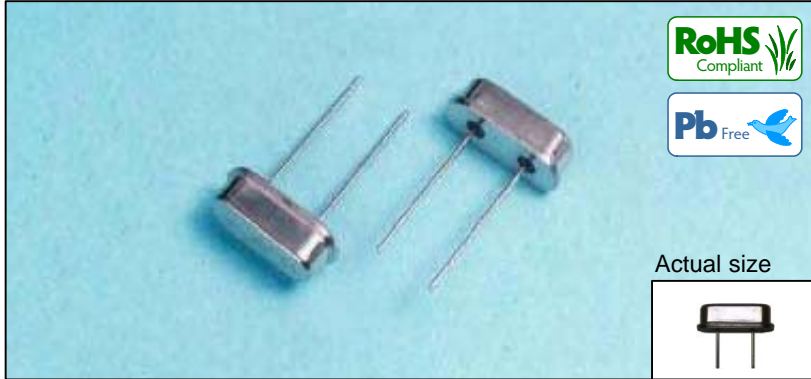


# LEADED CRYSTAL HC-49/U03



Actual size

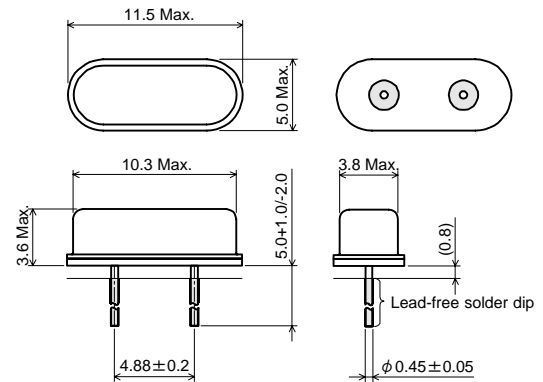


## Features

- Compact design  
(10.3mm×5.0mm×3.6mm Max., Weight : 0.54g).
- Metal package assures extreme accuracy and high reliability.
- Tape feeding is suitable for automatic mounting.
- Applications : Laptop PC, DSC, DVC

## Dimensions

Unit : mm



## Specifications

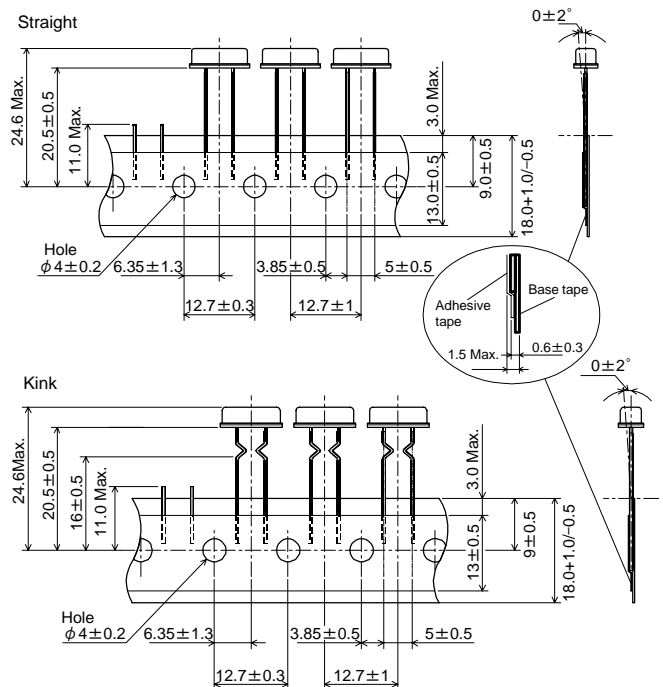
Item	Standard specifications		
Frequency range(MHz)	3.2 to 26.0		
Overtone order	Fundamental		
Frequency tolerance (ppm)(at 25°C)	±30, ±50, ±100		
Storage temperature range(°C)	-40 to +85		
Operating temperature range(°C)	0 to +50	-10 to +60	-20 to +70
Frequency versus temperature characteristics(ppm) (Refer to 25°C)	±30 ±50 ±100	±30 ±50 ±100	±30 ±50 ±100
Motional resistance (ESR)	As per below table		
Level of drive(μW)	500 Max.		
Load capacitance(pF)	8.0, 10.0		

Frequency(MHz)	Motional resistance(ESR)(Ω)
3.2 to 3.5	250 Max.
3.5 to 4.0	200 Max.
4.0 to 4.5	150 Max.
4.5 to 7.0	100 Max.
7.0 to 14.0	70 Max.
14.0 to 26.0	60 Max.

- Please consult us for customized specifications.
- All specifications and markings subjected to change without notice.

## Taping

Unit : mm



Quantity : 1000 pieces Max./Box

# RIVER

RIVER ELETEC CORPORATION

Head Office : 2-1-1 Fujimigaoka Nirasaki Yamanashi Japan  
 Tokyo Office : 4-40-14 Nishishinjuku Shinjuku-ku Tokyo Japan  
 Utsunomiya Office : Phone 81-28-625-7181 Fax 81-28-625-7159  
 Osaka Office : Phone 81-6-6998-4888 Fax 81-6-6998-4899  
 Nagoya Office : Phone 81-52-776-9531 Fax 81-52-776-9532

URL <http://www.river-ele.co.jp>

Phone 81-551-22-1211 Fax 81-551-22-6645  
 Phone 81-3-3377-5444 Fax 81-3-3374-2865  
 River Electronics (Singapore) Pte.Ltd : Phone 65-6258-7874  
 (Shanghai Liaison Office) : Phone 86-21-64032210  
 Taiwan River Co.,Ltd. : Phone 886-2-8988-2811

Fax 65-6258-7366  
 Fax 86-21-64037412  
 Fax 886-2-2983-4785