

# 2520 SMD



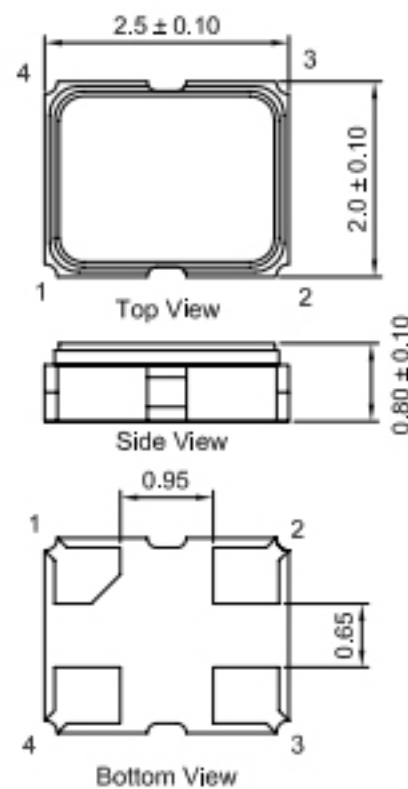
## Features

- External dimensions: 2.5 x 2.0 x 0.8 mm.
- Frequency range: 1MHz ~ 150MHz.
- Ultra Small SMD seam sealed clock crystal oscillator units.
- Applications: WLAN, Bluetooth, DSC, DSL and other IT product.
- Tri-state function available.

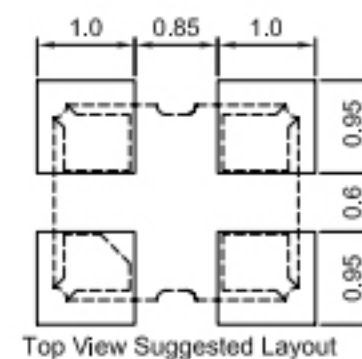
## Electrical Specifications

Item / Type	2520
Output Frequency Range	1 ~ 150 MHz
Output Type	CMOS
Supply Voltage	1.8V/2.5V/3.3V/5V, or specify
Oscillation Mode	Fundamental / 3rd Overtone
Frequency Tolerance	± 20ppm, ± 25ppm, or specify
Output Load	15 pF, or specify
Operating Temperature Range	- 20 ~ + 70 °C , - 40 ~ + 85 °C , or specify
Storage Temperature Range	- 40 ~ + 85 °C , - 55 ~ + 125 °C
Voltage Vol ( Max. ) / Vol ( Min. )	90%Vdd min./10%Vdd max
Symmetry	40 ~ 60 % Standard
Rise ( Tr ) / Fall ( Tf ) Time	8 ns Max.
Start-up Time	10 ms Max.
Supply Current	See Below
Frequency Aging ( at 25 °C )	± 3 ppm / year Max.

## Dimensions



引脚	功能	定义
1	E/D	三态/ 无三态
2	GND	接地
3	OUTPUT	输出
4	Vdd	电源电压

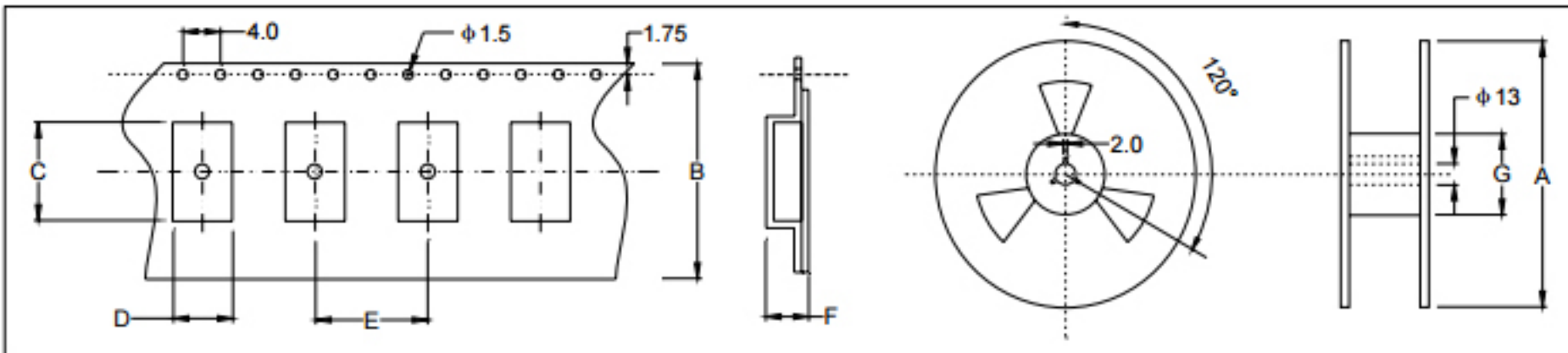


Units: mm

### ★ INPUT CURRENT 工作电流

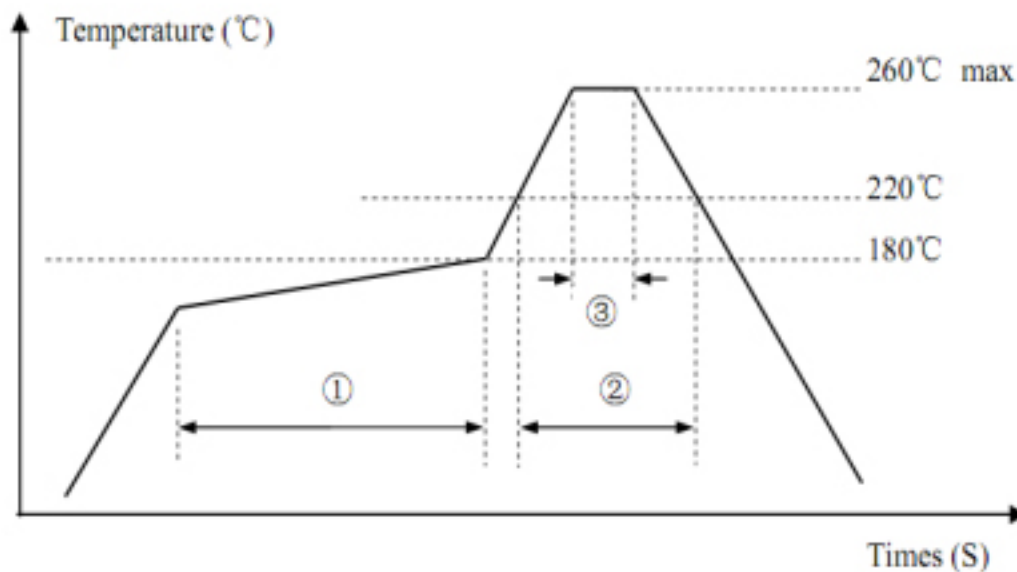
Vdc=5.0V		Vdc=1.8~3.3V	
15pF only		15pF only	
1.0 ~ 35.999 MHz	25 mA max	1.0 ~ 35.999 MHz	20mA max
36.0 ~ 69.999 MHz	60mA max	36.0 ~ 69.999 MHz	40mA max
70.0 ~ 150 MHz	80mA max	70.0 ~ 150 MHz	60mA max

### ★ TAPING SPECIFICATION (Unit: mm) 编带规格



	A	B	C	D	E	F	G
OSC-SMD2520	180±2.0	12.1±0.3	2.80±0.15	2.30±0.15	3.85±0.1	1.18±0.1	61.5±1.0
3000 pcs per reel							

### ★ REFLOW SOLDERING PROFILE 回流焊特性



Pb free reflow	①	②	③
A	Preheat	Primary heat	Peak
	160~180°C	220°C	260°C
	120sec. max	60sec. max	10sec. max.

### ★ Test Circuit 测试电路

