

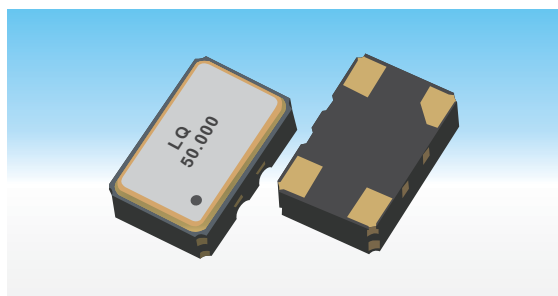
TCXO / Temperature Compensated Crystal Oscillator

5T Series SMD 5032 TCXO

9.6MHz~60MHz

O: Clipped Sine Wave /CMOS

Size: 5.0×3.2×1.2 mm



Actual size

Features

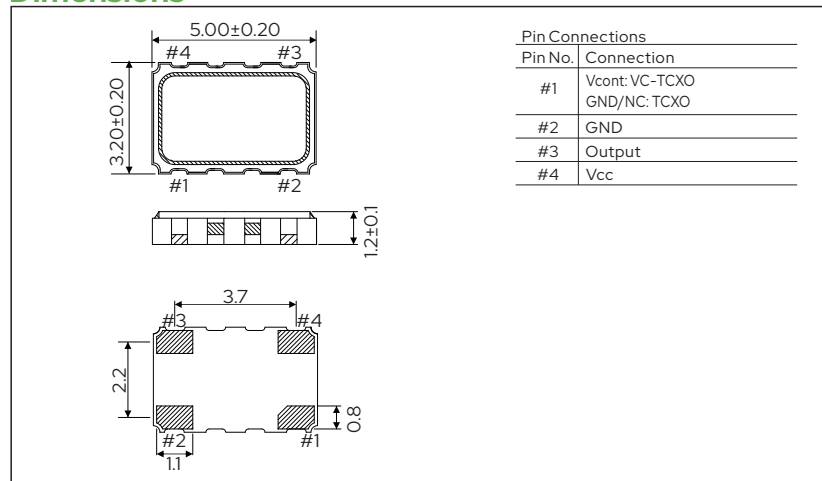
- 5032 size miniature and lightweight SMD TCXO
- Low voltage operation
- Single package structure
- High frequency range: 32.768kHz~60MHz
- VCTCXO available
- Low phase noise
- Application for GPS /GNSS, Mobile phone, Wearable device, IoT, Telecommunications, Industrial radio communications, etc
- RoHS Compliant /Pb Free



Standard Specifications

Item	Type	5T Series SMD 5032 TCXO /VC-TCXO		
Output Frequency Range		1.25MHz~60MHz	32.768kHz	6.4MHz~60MHz
Supply Voltage		1.8V /2.5V /3.0V /3.3V	3.3V	1.8V /2.5V /3.0V /3.3V
Current Consumption		3.5mA max.	8mA max.	13mA max.
Output Level		Clipped Sine Wave 0.8Vp-p min. (DC-Coupled)	CMOS "0" level 0.1×Vcc V max. "1" level 0.9×Vcc V min.	
Output Load		10KΩ//10pF	15pF	
Frequency Stability	vs. Tolerance	±1.0ppm max.	±2.0ppm max.	
	vs. Temperature	±0.5ppm~±3.0ppm max.	±0.5ppm~±3.0ppm max.	
	vs. Supply Voltage	±0.2ppm max.	±0.3ppm max.	
	vs. Load	±0.3ppm max.	±0.3ppm max.	
	vs. Aging	±1.0ppm/year max.	±1.0ppm/year max.	
Start-up Time		2ms max.	10ms max.	
Rise and Fall Time		/	10ns max.	
VC-TCXO	Frequency Control Range	±5.0ppm min.		
	Control Voltage Range	0.9V±0.6V@Vcc(1.8V), 1.4V±1V@Vcc(2.5V), 1.5V±1V@Vcc(3.0V/3.3V)		
	Input impedance	1.0MΩ min.		
	Response Slope	Positive		
Phase Noise	Offset 10Hz	-80dBc/Hz @13MHz	-96dBc/Hz @10MHz	
	Offset 100Hz	-115dBc/Hz @13MHz	-122dBc/Hz @10MHz	
	Offset 1KHz	-135dBc/Hz @13MHz	-138dBc/Hz @10MHz	
	Offset 10KHz	-148dBc/Hz @13MHz	-145dBc/Hz @10MHz	
Operating Temperature Range		-30~+85°C, -40~+85°C, or specify		
Storage Temperature Range		-55~+125°C		

Dimensions



Recommended Land Pattern [mm]

