

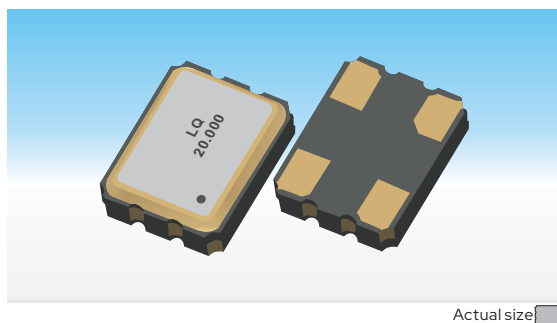
TCXO / Temperature Compensated Crystal Oscillator

7T Series SMD 3225 TCXO

32.768kHz~60MHz

O: CMOS

Size:3.2×2.5×1.0 mm



Features

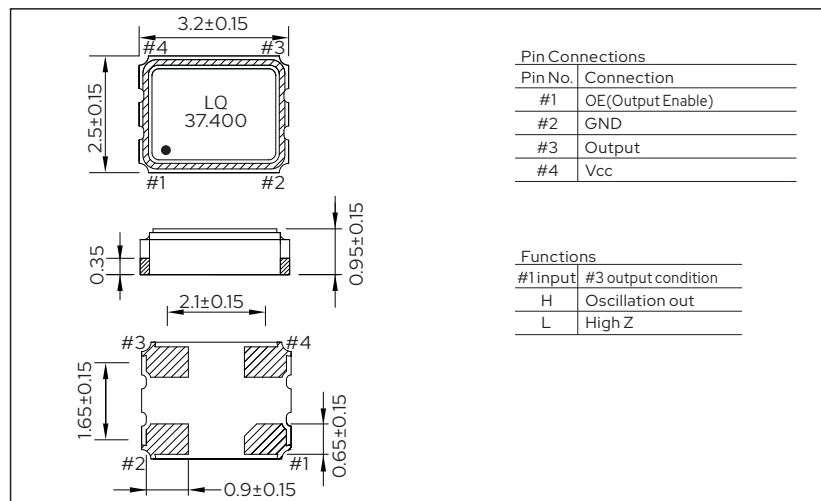
- 3225 size ultra miniature and lightweight SMD TCXO
- Low voltage operation
- Single package structure
- High frequency range: 32.768kHz~60MHz
- Low phase noise
- Application for GPS/GNSS, Mobile phone, Wearable device, IoT, Telecommunications, Industrial radio communications, etc
- RoHS Compliant /Pb Free



Standard Specifications

Item	Type	7T Series SMD 3225 TCXO	
Output Type		CMOS	
Output Load		15pF	
Frequency Range		32.768kHz	10MHz~60MHz
Supply Voltage		1.8V /2.5V /3.3V	
Current Consumption		3μA max.	10mA max.
Stand-by Current		3μA max.	
Frequency Stability	vs. Tolerance	±2.0ppm max. (After 2 reflows)	
	vs. Temperature	±3.8ppm~±5.0ppm max.	±2.5ppm~±10ppm max.
	vs. Supply Voltage	±0.3ppm max. (Vcc±5%)	
	vs. Load Variation	±0.3ppm max. (15pF±5%)	
	vs. Aging	±1.0ppm max./year	
Start-up Time		3.0s max.	5.0ms max.
0 Level Output Voltage (V _{OL})		Vcc×0.1 max.	
1 Level Output Voltage (V _{OH})		Vcc×0.9 min.	
Rise and Fall Time		200ns max.	10ns max.
Symmetry		45%~55%	
Phase Noise @50MHz	Offset 10Hz	-85dBc/Hz	
	Offset 100Hz	-111dBc/Hz	
	Offset 1KHz	-133dBc/Hz	
	Offset 10KHz	-149dBc/Hz	
Operating Temperature Range		-30~+85°C, -40~+85°C, or specify	
Storage Temperature Range		-55~+125°C	

Dimensions



Recommended Land Pattern [mm]

