

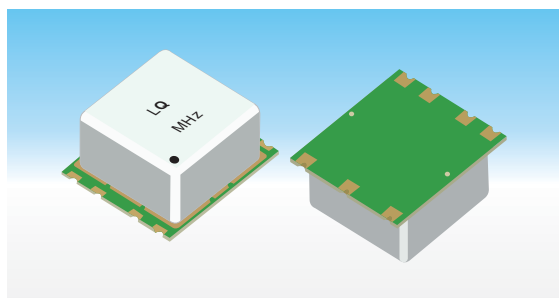
OCXO / Oven Controlled Crystal Oscillator

5X Series SMD 25×22 OCXO

5MHz~40MHz

O: Sine Wave /CMOS

Size: 25.4×22.1×11.0 mm



Features

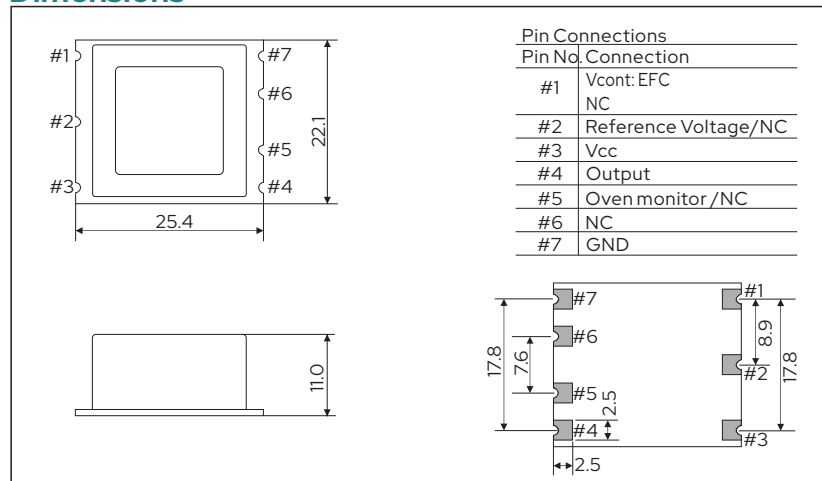
- Dimension 25.4×22.1×11mm, miniature 7-pad SMD package
- 3.3V / 5.0V supply voltage
- Voltage control (Electronic Frequency Tuning) is standard
- Output wave: Square Wave / True Sine Wave
- High frequency range: 5MHz~40MHz
- ±10ppb stability over -40°C~+85°C
- Application for SDH/SONET, Test & Instrumentation, Synthesizer, Digital switch, Portable telecommunication device, etc
- RoHS Compliant /Pb Free



Standard Specifications

Item	Item	5X Series SMD 25×22 OCXO	
Output Frequency Range		5MHz~40MHz	
Supply Voltage		3.3V /5.0V	
Output Level		True Sine Wave Harmonics: -30dBc max. Spurious: -60dBc max.	Square Wave "0" level 0.1×Vcc V max., "1" level 0.9×Vcc V min. Symmetry: 45~55%
Output Load		50Ω	15pF
Power Consumption		1.2 Watts max. at steady-state; 1000mA max. at turn-on.	
Frequency Stability	vs. Initial Calibration Tolerance	±200ppb max.	
	vs. Temperature	±5ppb~±10ppb max.	
	vs. Supply Voltage	±0.5ppb max. (Vcc±5%)	
	vs. Warm-up Time	10 minute max. Within ±10ppb of its reference frequency.	
	vs. Aging	±0.5ppb max./after 30 days ; ±500ppb max./first year ; ±400ppb max. over 10 years.	
Rise and Fall Time		7nS (max.) (20%~80% of waveform)	
Voltage Control On Pin1 (EFC) (Electrical Freq. Tuning)	Frequency Adjustment Range	±0.5ppm~±5ppm max.	
	Control Voltage Range	+1.65V±1.65V@3.3V, +2.5V±2.5V@5.0V	
	Transfer Function	Positive: Increasing control voltage increases output frequency	
	Input Impedance	50KΩ min.	
	EFC Linearity	±10% max.	
Phase Noise @10MHz	Offset 10Hz	-98dBc/Hz	
	Offset 100Hz	-126dBc/Hz	
	Offset 1KHz	-145dBc/Hz	
	Offset 10KHz	-152dBc/Hz	
Operating Temperature Range		-30~+85°C, -40~+85°C, or specify	
Storage Temperature Range		-55~+125°C	

Dimensions



Recommended Land Pattern [mm]

