

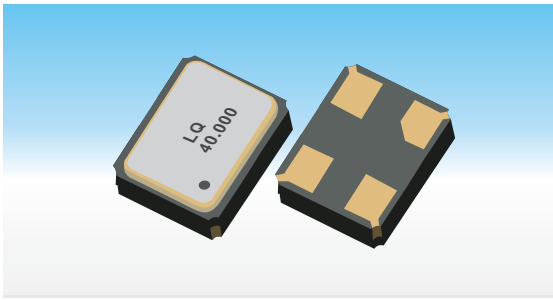
SMD Crystal Oscillators

8N Series SMD 1612 Crystal Oscillators

1~80MHz

O: CMOS

Size: 1.6 × 1.2 × 0.5 mm



Actual size

Features

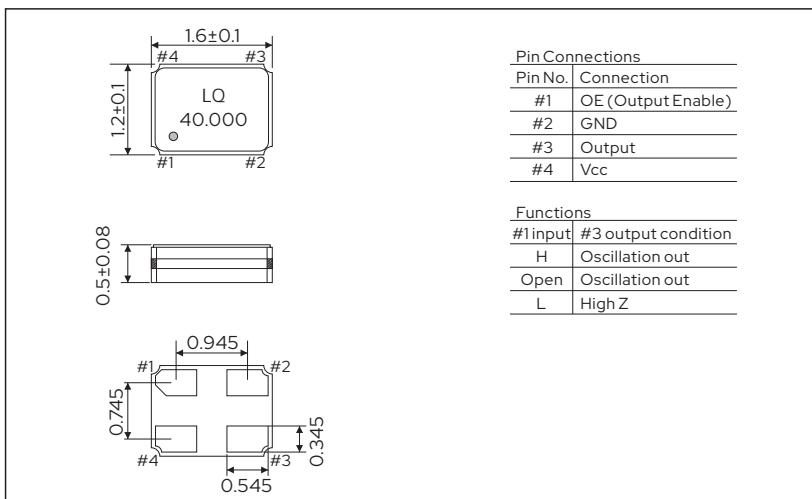
- 1612 size, 0.5mm high. Ultra miniature and lightweight SMD crystal oscillators
- 3-state function
- Supply voltage: 1.8V~3.3V
- Available frequency range: 1MHz~80MHz
- Low jitter provides for high performance
- Application for smart phone, WiLAN, WiMAX, Bluetooth, PC, PC peripherals, Automotive multimedia device, etc
- RoHS Compliant /Pb Free



Standard Specifications

Item	Type	8N Series SMD 1612 Crystal Oscillators
Output Type		CMOS
Load condition		15pF, or specify
Frequency Range		1MHz~80MHz
Supply Voltage		1.8V~3.3V
Frequency Stability (All Condition)		±20ppm, ±25ppm, ±30ppm, ±50ppm, or specify
Current Consumption		4.0mA max.
Stand-by Current		10µA max.
Symmetry		45~55%
0 Level Output Voltage (V _{OL})		0.1 V _{CC} max.
1 Level Output Voltage (V _{OH})		0.9 V _{CC} min.
Rise Time / Fall Time		5.0ns max.
OE Pin 0 Level Input Voltage (V _{IL})		0.2V _{CC} max.
OE Pin 1 Level Input Voltage (V _{IH})		0.8V _{CC} min.
Start-up Time		1ms max.
Operating Temperature Range		-20~+70C. -40~+85°C, -55~+85°C . -40~+105°C . -55~+125°C or specify
Storage Temperature Range		-55~+125°C
Phase Jitter (12KHz~20MHz)		1ps max.

Dimensions



Recommended Land Pattern [mm]

