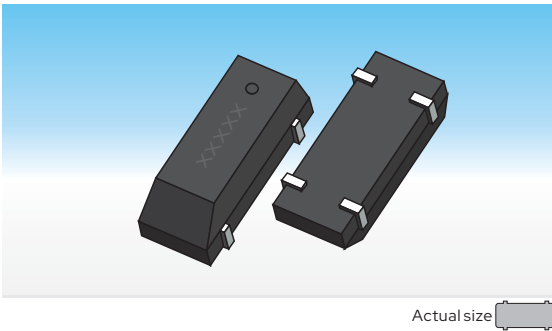


SMD 32.768kHz Crystal Units

6LC Series SMD 32.768kHz Crystal Units

32.768kHz

Size:8.0×3.8×2.5 mm



Features

- Plastic molded SMD tuning fork crystal of heat-resistance
- High precision and high frequency stability
- Small size package with 8.0×3.8×2.5mm
- Excellent heat resistance and environmental characteristics
- Application for digital AV equipment, PC, Gaming equipment, Automotive applications, Radio communications, etc.
- RoHS Compliant

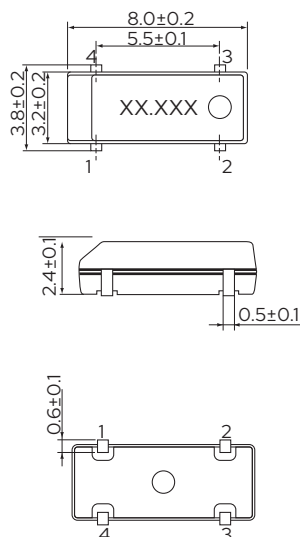


Standard Specifications

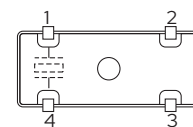
Item	Type	6LC Series SMD 32.768kHz Crystal Units
Frequency Range		32.768 kHz
Load Capacitance		6pF, 9pF, 12.5pF, or specify
Drive Level		1μW max.
Frequency Tolerance		±20ppm, or specify
Series Resistance		50KΩ max.
Turnover Temperature		±25°C±5°C
Parabolic Coefficient		$(-0.034±0.005)×10^{-6}/^{\circ}\text{C}^2$ max.
Operating Temperature Range		-20~+70C, -40~+85°C, -55~+85°C, -40~+105°C, -55~+125°C or specify
Storage Temperature Range		-55~+125°C
Shunt Capacitance		1.3pF Typ.
Size (L×W×H) (mm)		8.0×3.8×2.50
Packing Unit		3000pcs./reel

[mm]

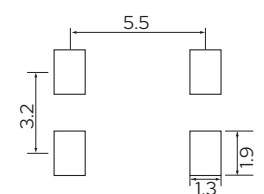
Dimensions



Connection



Suggested Layout



Top View Suggested Layout