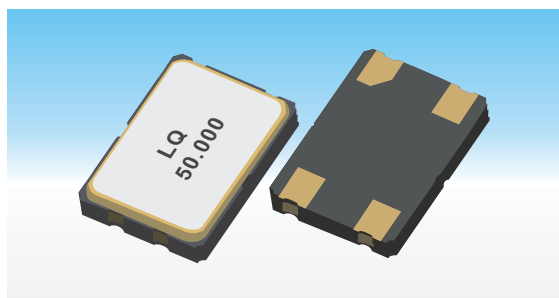


# SMD Crystal Units

6F Series SMD Crystal Units

6 MHz~160 MHz

Size: 7.0×5.0×1.0 mm



Actual size

## Features

- 7050 size miniature SMD crystal units with low profile of 1.0mm
- Frequency range from 6MHz to 160MHz
- High frequency stability and reliability
- Automatic mounting and reflow soldering
- Application for PC, Mobile communications, DSC, Wireless communication, Telecommunications, Bluetooth, etc.
- RoHS Compliant / Pb Free

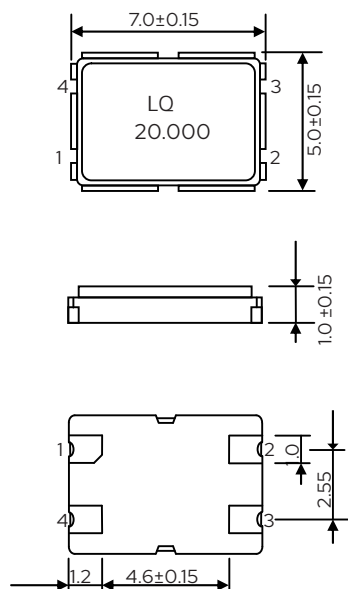


## Standard Specifications

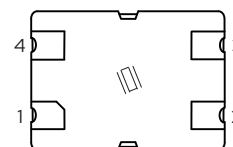
Item	Type	6F Series SMD 7050 Crystal Units					
		6~10MHz	10~12MHz	12~30MHz	30~80MHz	80~100MHz	100~160MHz
Frequency Range		6~10MHz	10~12MHz	12~30MHz	30~80MHz	80~100MHz	100~160MHz
Overtone Order		Fundamental			3rd Overtone		
Load Capacitance		16pF, 18pF, 20pF, or specify					
Drive Level		100μW Typical					
Frequency Tolerance		±20ppm, ±30ppm, or specify (at 25°C)					
Series Resistance		100Ω max.	60Ω max.	50Ω max.	80Ω max.	90Ω max.	100Ω max.
Frequency Characteristics Over Temperature		±10ppm, ±20ppm, ±30ppm, or specify					
Operating Temperature Range		-20~+70C, -40~+85°C, -55~+85°C, -40~+105°C, -55~+125°C or specify					
Storage Temperature Range		-55~+125°C					
Size (L×W×H) (mm)		7.0×5.0×1.00					
Packing Unit		1000pcs./reel					

[mm]

### Dimensions



### Connection



### Suggested Layout

