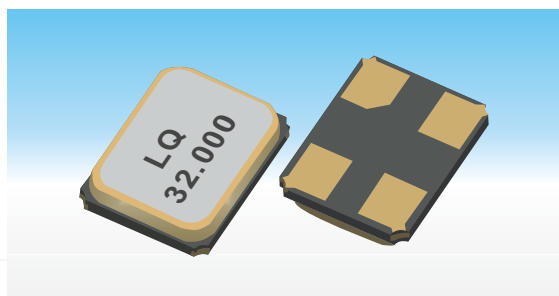


SMD Crystal Units

7Y Series SMD Crystal Units

24 MHz~60 MHz

Size: 1.6×1.2×0.35 mm



Actual size

Features

- 1612 size ultra miniature and lightweight SMD crystal units with low profile of 0.35mm
- Frequency range from 24MHz to 60MHz
- High precision and high frequency stability
- High reliable environmental performance
- Application for smart phone, sip modules, wearable devices, Wireless modules, mobile communications, etc.
- RoHS Compliant / Pb Free

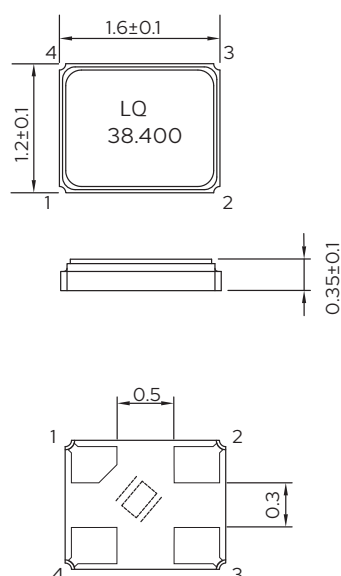


Standard Specifications

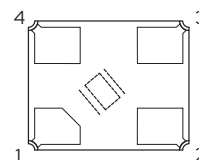
Item	Type	7Y Series SMD 1612 Crystal Units	
Frequency Range		24~30MHz	30~60MHz
Overtone Order		Fundamental	
Load Capacitance		8pF, 10pF, 12pF, or specify	
Drive Level		100μW Typical	
Frequency Tolerance		±10ppm, ±20ppm, or specify (at 25°C)	
Series Resistance		100Ω max.	80Ω max.
Frequency Characteristics over Temperature		±10ppm, ±20ppm, ±30ppm, or specify	
Operating Temperature Range		-20~+70C, -40~+85°C, -55~+85°C, -40~+105°C, -55~+125°C or specify	
Storage Temperature Range		-55~+125°C	
Size (L×W×H) (mm)		1.6×1.2×0.35	
Packing Unit		3000pcs./reel	

[mm]

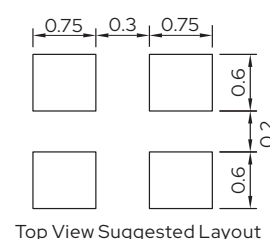
Dimensions



Connection



Suggested Layout



Top View Suggested Layout